

SECO DC 0025/0040 C

Dry-running rotary vane vacuum pumps/compressors



VACUUM SOLUTIONS



Compact

Direct-drive construction, including vacuum and pressure regulation valves

Reliable

Robust construction, proven performance, self-lubricating vanes, no operating fluids, specially designed for the printing industry

High performance

High performance Aerodur 274 Zirkon vanes, extended lifetime, extremely resistant to wear and humidity

Accessories

- Inlet filter
- Hose nipple

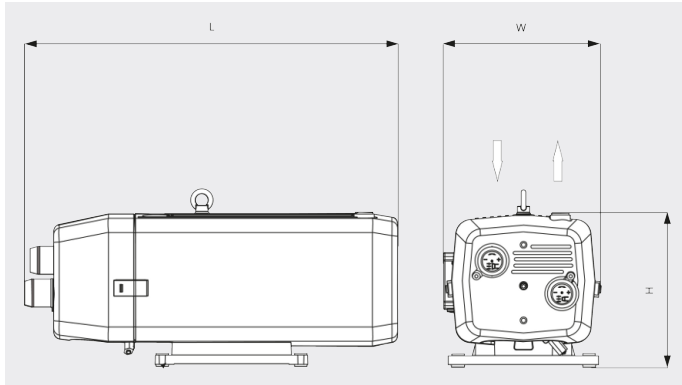
SECO DC 0025/0040 C

Dry-running rotary vane vacuum pumps/compressors



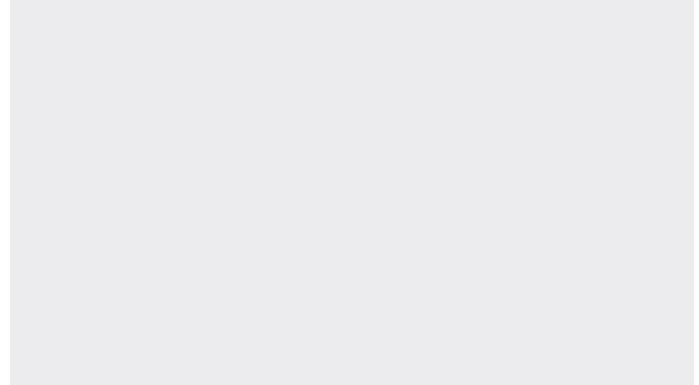
VACUUM SOLUTIONS

Dimensional drawing



Pumping speed / Volume flow

Air at 20°C. Tolerance: ± 10%



	SECO DC 0025 C	SECO DC 0040 C
Pumping speed / Volume flow	17.7 ACFM	28.3 ACFM
Vacuum	-8.7 PSIG	-8.7 PSIG
Overpressure	8.7 PSIG	8.7 PSIG
Nominal motor rating	1.47 HP	2.0 HP
Nominal motor speed	1800 RPM	1800 RPM
Noise level (ISO 2151)	67 dB(A)	68 dB(A)
Blast air temperature	141 °F	169 °F
Weight approx.	73 Lbs.	88 Lbs.
Dimensions (L x W x H)	21.3 x 9.9 x 9.7 inches	23.3 x 9.9 x 9.7 inches
Gas inlet / outlet	G $\frac{3}{4}$ " / G $\frac{3}{4}$ "	G $\frac{3}{4}$ " / G $\frac{3}{4}$ "

DO YOU WANT TO KNOW MORE?

Get in touch with us directly!
info@buschusa.com or +1 757 463 7800



CONTACT FORM



CALL NOW